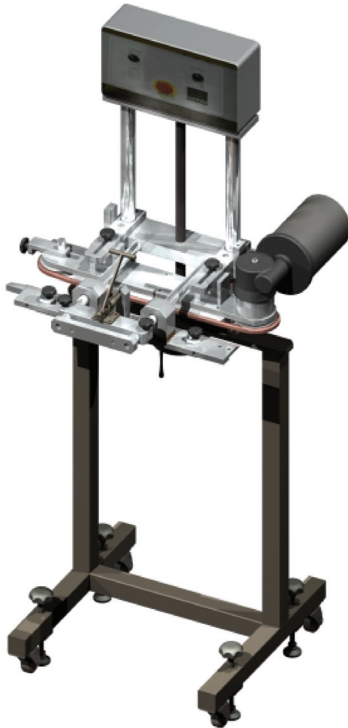


# SPIN TRIMMER

## (WIDE BELT)



Guarding not shown.

### FEATURES

- Capable of trimming necks (125mm) in diameter
- Heated bladed technology temperature controller
- Easily converted between narrow belt version
- Trims HDPE, PVC, PETG, various other resins
- Able to trim oversized and bottle necks
- Emergency-stop switch
- Clear lexan safety covers
- Easy setup of bottle height handle to conveyor
- No tooling necessary when blade angle, and belt

NOTE: Model SPT3500 has the same features as the SPT2500 but is capable of trimming necks up to 7.5" (190mm) in diameter.

The **Spin Trimmer model SPT2500** features a Safety Pull-Out System that allows jammed bottles to be removed without the operator having to enter the cutting area. The quick-release handle frees the Spin Trimmer from bottle jams and, once cleared, returns to the original position eliminating the need to readjust.

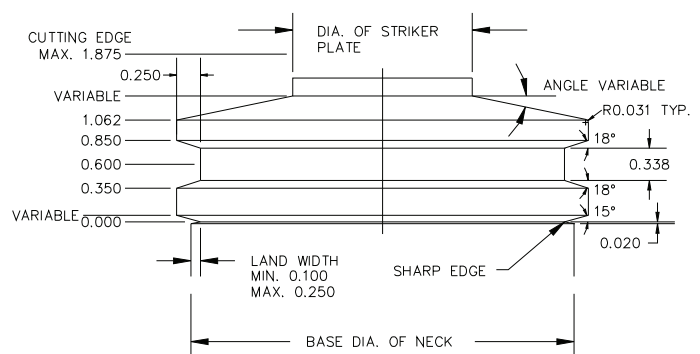
The Spin Trimmer features a simple but sturdy design and can be easily integrated into an existing production line. Model SPT2500 is extremely versatile and can be customized to fulfill your specific needs.

The Spin Trimmer includes quick adjustment handles that accommodate various wide mouth container sizes. Easy height adjustment contributes to the simplicity and ease of operation of the unit.

As with all Compact Mould's Blow Moulding Machinery and auxiliary equipment, the Model SPT2500 has achieved reliability through a simple but sturdy design and quality workmanship.

Standard features include:

### WIDE BELT BLOW DOME CONFIGURATION



Note: No allowances have been made for shrinkages

Due to a company policy of continuous improvement, Compact Mould reserves the right to alter technical specifications without prior notice. 6/16/2009