

SPIN TRIMMER (NARROW BELT)



Guarding not shown.

FEATURES

- Recommended for trimming necks of up to 2" (50mm) in diameter
- Heated bladed technology with digital temperature controller
- Easily converted between wide and narrow belt version
- Trims HDPE, PVC, PETG, PET and various other resins
- Belt is supplied at local industrial store
- Emergency-stop switch
- Clear lexan safety covers
- Easy setup of bottle height by crank handle to conveyor
- No tooling necessary when adjusting blade angle, and belt

NOTE: Model SPT2500 WIDE BELT is recommended for necks of 2" (50mm) up to 5" (125mm) in diameter and has the same features as the Narrow Belt model

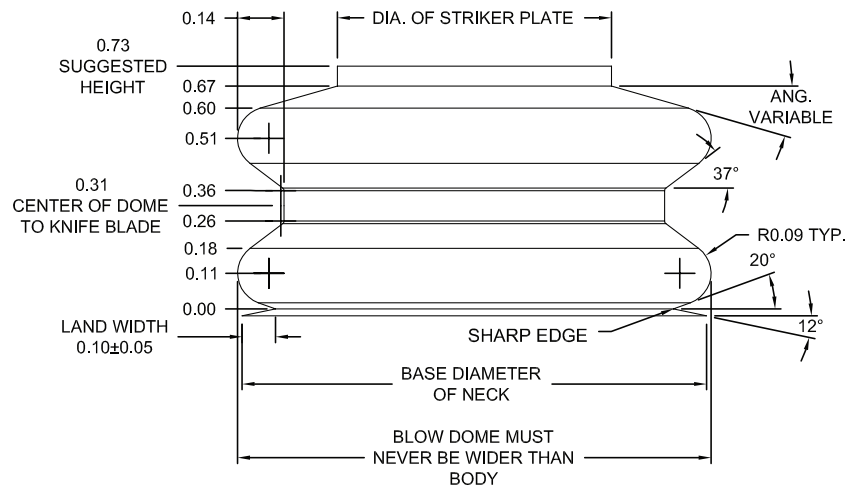
The **Spin Trimmer model SPT2500** features a Safety Pull-Out System that allows jammed bottles to be removed without the operator having to enter the cutting area. The quick-release handle frees the Spin Trimmer from bottle jams and, once cleared, returns to the original position eliminating the need to readjust.

The Spin Trimmer features a simple but sturdy design and can be easily integrated into an existing production line. Model SPT2500 is extremely versatile and can be customized to fulfill your specific needs.

Another innovation, which can be used with the new SPT2500, is the Narrow Belt that allows for the trimming of small necked bottles with reduced domes.

The reduced domes are approximately 55% smaller than the standard dome configuration required for standard V-belts. Therefore, you will be able to save significantly on scrap material costs.

NARROW BELT BLOW DOME CONFIGURATION



Note: No allowances have been made for shrinkages

Due to a company policy of continuous improvement, Compact Mould reserves the right to alter technical specifications without prior notice. 08/11/2011