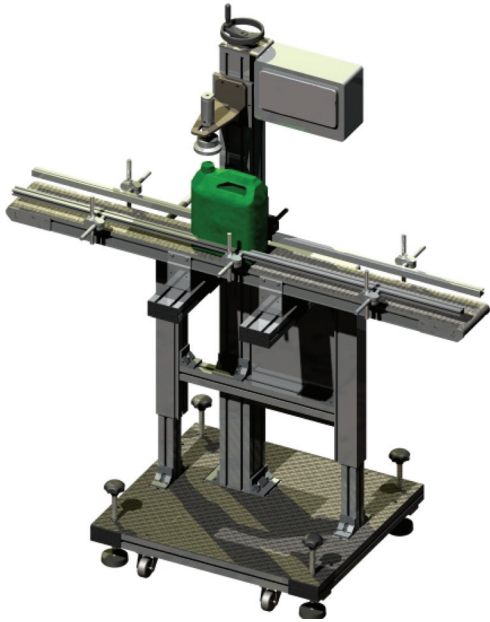


LEAK DETECTOR

(SINGLE or MULTI-HEAD)



The **Compact Mould Model LD1000 Leak Detector** is designed and engineered to automatically test for leaks in plastic bottles of various sizes and configurations. The LD1000 is easily integrated into existing production lines or as a stand alone unit.

The Model LD1000 delivers superior testing capabilities because of its straightforward design. Through PLC control, all aspects of the Leak Detector are easily regulated. This includes a bargraph display so the operator can visually see the actual pressure inside the bottle. Setup changes are easily made and saved for future reference by using the operator touchscreen interface.

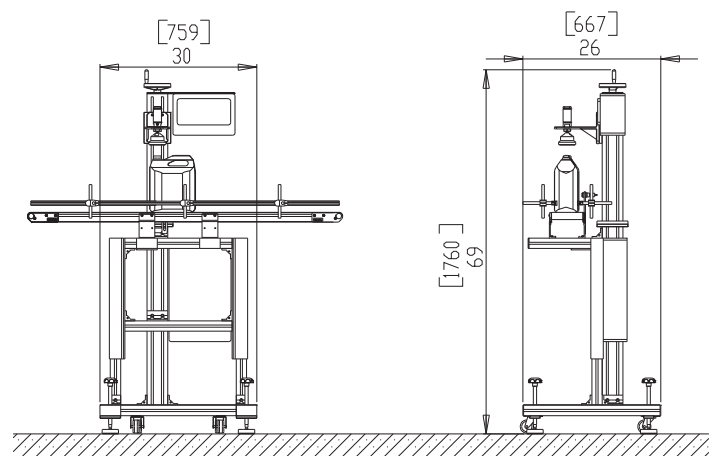
The LD1000 Leak Detector provides flexibility for special customer applications such as multiple heads to facilitate higher production rates, inline weighing, flash detection, etc.

FEATURES

- Touch screen operator interface
- Test heads can easily be adjusted by use of a hand wheel
- Save changes to bottle setup and recall on a later date
- Bar-graph display allows operator to actual see test process in each bottle
- PLC control system
- Test head can be utilized for various neck sizes

OPTIONS

- Available with multiple with independent
 - Handle flash detection
 - Blocked neck bore
 - Fallen bottle detection
 - And more...
-



Due to a company policy of continuous improvement, Compact Mould reserves the right to alter technical specifications without prior notice. 6/16/2009