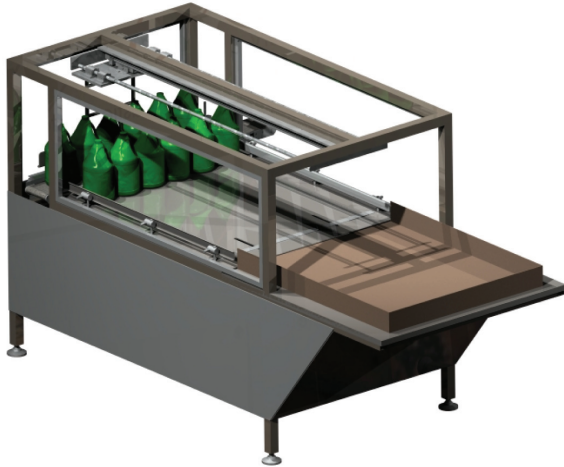


# TRAY PACKER



The **Compact Mould CT1000 Tray Packer** is designed and engineered to automatically transfer bottles onto a tray so that the operator can be freed from packing duties.

The CT1000 delivers superior testing capabilities because of its straightforward design. Through the PLC control, all aspects of the tray packer are controlled. Simply enter the number of bottles that will fill one row onto the operator interface and that will trigger a counter. Once the counter has counted a full row, it will begin to push the bottles onto the buffer plate. Once the buffer plate is full, it will then push the bottles onto the tray.

## FEATURES

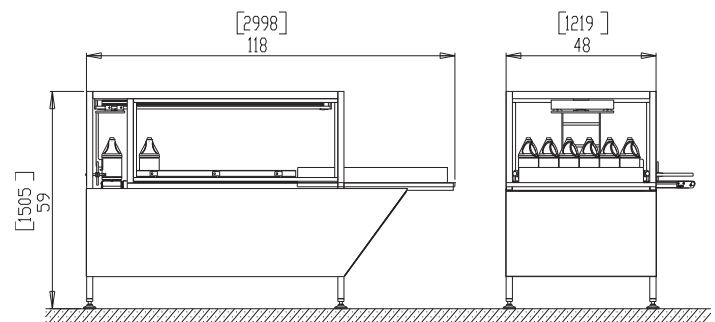
- Stainless steel table top and rails
- Flexible to different tray ranges 34"–40" wide to 40"–51" long
- No tooling necessary to make tray setup changes
- Lexan safety guarding with safety switches
- Steel table frame construction
- PLC control system
- 6" wide x 5' long conveyor with variable speed controller

You can easily switch from one tray to another by adjusting the side rails with quick release handles, and by increasing or decreasing the buffer plate bar by a hand wheel. All moving components are shielded by lexan safety guarding. The frame of the machine is constructed from steel tubing. All guarding is held in place by aluminum extrusion. The tray packer comes standard with a 6" wide x 5' long conveyor with a 1/4 hp motor and variable speed controller. It can be loaded from either left or right entrance.

## TECHNICAL SPECS

- Weight – 550 lbs [250kg]
- Voltage – 110v
- Air Connection – Dry Air
- Recommended Working Pressure 60 psi
- Maximum Bottle Height – 17" (430mm)
- Maximum bottle Diameter-Depends on Conveyor
- PLC Controller – Koyo (Omron is optional)
- All components used

The tray packer also comes standard with electrical and pneumatic safety interlocks.



Due to a company policy of continuous improvement, Compact Mould reserves the right to alter technical specifications without prior notice. 6/16/2009